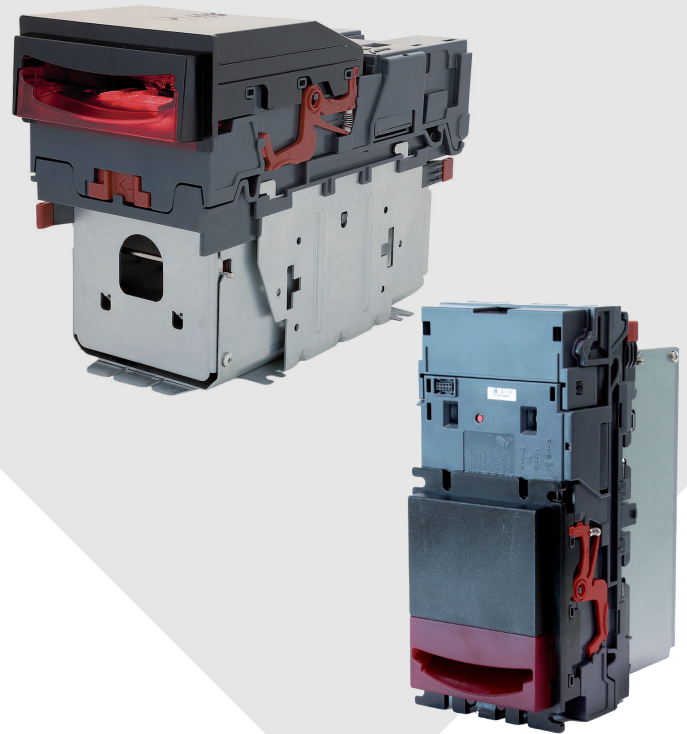


BANKNOTE VALIDATOR
AND RECYCLERS

NV9 USB+

Enhanced sensing
technology



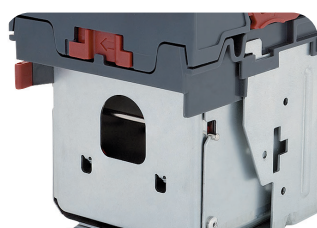
The NV9 USB+ is the next generation banknote validator, boasting enhanced sensing technology and a high acceptance rate for multi-currency. NV9 USB+ is a versatile banknote validator with cashbox and bezel options to suit all applications. The unit can be mounted horizontally or vertically and exceptional field reliability make the NV9 USB+ a truly global product. A note float module can be added to provide note recycling capability.

FEATURES

- Various cashbox and bezel options
- Easy maintenance, free firmware updates
- Proven field reliability
- Enhanced sensing technology = high acceptance rate for multi-currency
- Over 100 different world currencies accepted
- Optional note float unit

BENEFIT

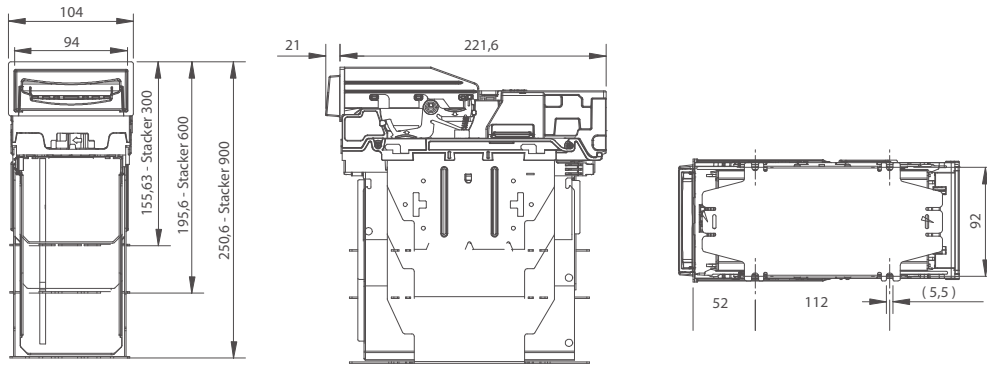
- Future proof - quick & easy updates via USB, PC or handheld programmer
- Versatile validator, suitable for all
- Ability to add note recycling
- A truly global product



MULTIPLE CASHBOX
OPTIONS



DIFFERENT
ILLUMINATION OPTIONS



Technical Schematics

NOTE: UNIT OF MEASURE MM

TOOLS

DA2 kit

Kit for programming, configuration and diagnostics



DA3 kit

Kit for on field programming and configuration



DA3 Easy

Easy and intuitive kit for on field programming



OPTIONAL ACCESSORIES

- AGCAVOSMILE: cable for connecting the banknote reader to its host machine in parallel mode. Available lengths: 20 - 50 - 100 - 150 cm
- AGCAVOSMILEPULS: cable for connecting an NV9 in pulse mode. Available lengths: 100 and 200 cm
- IF5: interface for converting the SSP protocol to MDB mode

INTERFACES

- USB
- Open Collector

BEZEL OPTIONS

- 66/69/78/82 mm width
- Vertical up/down
- Horizontal
- Various illumination options



PROTOCOLS

- SSP
- Parallel
- ccTalk
- Binary
- MDB
- Serial
- Pulse

TECHNICAL SPECIFICATION

Dimensions (LxHxW) (*) horizontal orientation	With 300 banknote stacker 104 x 155.6 x 221.6 mm	With 600 banknote stacker 104 x 195.6 x 221.6 mm
Weight	1,700 g	
Power supply	12 Vdc +/- 10% (MDB version: min. 23 V - max 42 V)	
Current consumption	0.2A Standby - 1A Running - 1.5A Peak	
Operating temperature	3 °C ÷ 50 °C - 5 ÷ 95% humidity non-condensed	
Banknotes accepted	up to 82 x 160 mm	
Recognisable banknotes	up to 15 different banknote denominations in serial, pulse and binary validation modes 4 banknotes in parallel mode	
Acceptance speed	3 ÷ 6 seconds	
Capacity	Cashbox: 300 lockable - 300/600 slide - 300/600 clip - Recycler: 30 notes	
MCBF	200,000	