

BANKNOTE VALIDATOR
AND RECYCLERS

NV11 USB+

Market leading
compact note recycler



NV11 USB+ is the ideal solution in a variety of situations where high security and high volume banknote acceptance, validation and payout are needed: kiosks, gaming machines, parking, ticketing and vending machines. NV11 USB+ is equipped with the innovative Note Float payout unit and can store and recycle up to 30 notes.

FEATURES

- 300 or 600 note storage capacity
- 30 note single denomination recycler
- Easy maintenance, free firmware updates
- Proven field reliability
- Accepts, validates and stores banknotes in less than 3 seconds
- Uses a secure encrypted protocol for data transfer

BENEFIT

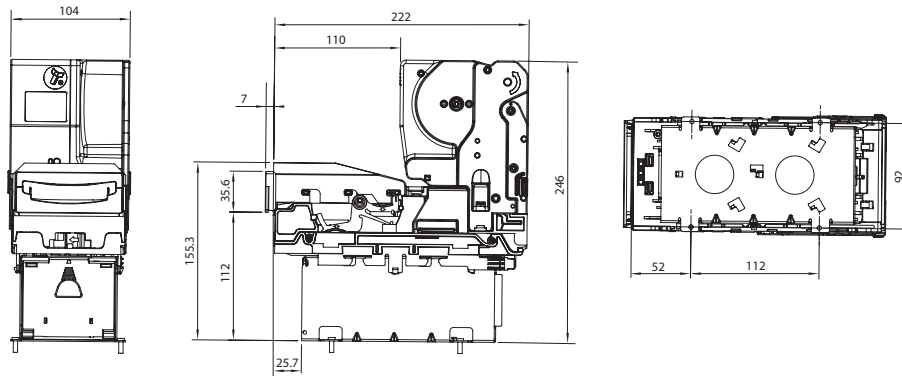
- Maximises cash efficiency and reduces operational costs
- Lowest cost of ownership
- Future proof – quick & easy updates via USB, PC or handheld programmer
- Lowest operator collection costs



BEZEL



NOTE FLOAT UNIT



Technical Schematics

NOTE: UNIT OF MEASURE MM

TOOLS

DA2 kit

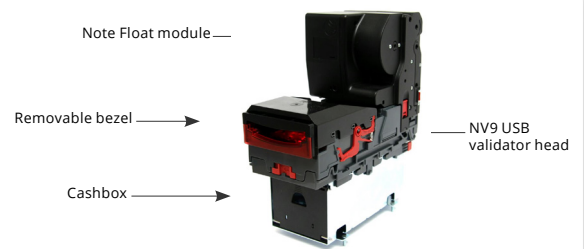
Kit for programming, configuration and diagnostics

DA3 kit

Kit for programming and configuration on field

DA3 Easy

Easy and intuitive kit for programming on field



PROTOCOLS

- ccTalk
- eSSP (encrypted Smiley Secure Protocol)

INTERFACES

- USB
- Open Collector

BEZEL OPTIONS

- 82 mm horizontal
- 82 mm chamfered
- Rainbow illumination

TECHNICAL SPECIFICATION

Dimensions (LxHxW)	104x246x229 mm
Weight	2.2 Kg
Power supply	12 Vdc +/- 10%
Current consumption	350 mA Standby - 3A Running - 3.5A Peak
Operating temperature	3°C ÷ 50°C 5 ÷ 95% humidity non-condensed
Note dimensions	Width 60-82 mm Length 115-150 mm
Speed	3 seconds
MCBF	200,000

BANKNOTES CAPACITY

Capacity	Cashbox: 300 standard - 300 lockable - 300/600 slide Recycler: 30 notes
----------	--