

BANKNOTE VALIDATOR
AND RECYCLERS

NV10 USB+

Compact Stackerless
Banknote Validator



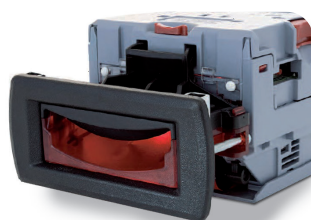
The NV10 USB+ is a compact, stackerless banknote validator suitable for most applications. Accepting over 100 different world currencies the NV10 USB+ is a truly global product. A field proven validator the unit supports industry standard protocols, is simple to integrate and maintain. The NV10 USB+ is ideal for amusement and vending applications and comes with two bezel width options depending on currency.

FEATURES

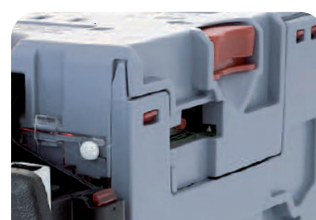
- Compact stackerless design
- Enhanced sensing technology
- Over 100 different world currencies accepted
- One build standard for Global Applications
- Easy maintenance, free firmware updates
- Proven field reliability
- Future proof

BENEFIT

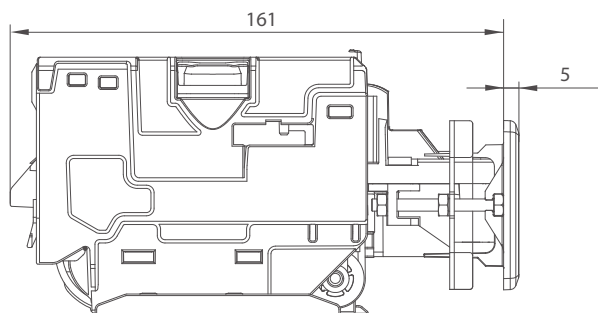
- Suitable for most applications
- Lowest cost of ownership
- Future proof - quick & easy updates via USB, PC or handheld programmer
- Simple integration



METAL FRONT PLATE



PRATICAL OPENING
BUTTON



Technical Schematics

NOTE: UNIT OF MEASURE MM

TOOLS

DA2 kit

Kit for programming, configuration and diagnostics



DA3 kit

Kit for programming and configuration on field



DA3 Easy

Easy and intuitive kit for programming on field



OPTIONAL ACCESSORIES

- Adaptor plate from NV10 to NV5
- AGCAVOSMILENV10: cable for adapting an NV10 connector to an NV5
- AGCAVOSMILE: cable for connecting the banknote reader to its host machine in parallel mode. Available lengths: 20 - 50 - 100 - 150 cm
- AGCAVOSMILEPULS: cable for connecting an NV10 in pulse mode. Available lengths: 100 and 200 cm

PROTOCOLS

- SSP - Paral
- ccTalk - Binary
- MDB - Serial
- Pulse

INTERFACES

- USB option
- Open collector

BEZEL OPTIONS

- 66/82mm width
- Extended
- Rainbow illumination

TECHNICAL SPECIFICATION

DIMENSIONS (LXHXW)	119 x 86 x 166 mm
WEIGHT	550 g
POWER SUPPLY	12 Vdc +/- 10% (MDB version: min. 23 V - max 42 V)
POWER CONSUMPTION	0.2A Standby - 1A Running - 1.5A Peak
OPERATING TEMPERATURE	0 °C ÷ 50 °C - 5 ÷ 95% humidity non-condensed
BANKNOTES ACCEPTED	up to 82 x 160 mm
RECOGNISABLE BANKNOTES	up to 15 different banknote denominations in ccTalk, serial, pulse and binary validation modes, 4 banknotes in parallel mode
ACCEPTANCE SPEED	3 seconds
MCBF	200,000