

5-WAY SORTER

CINCO

Compatible with all types
of machines

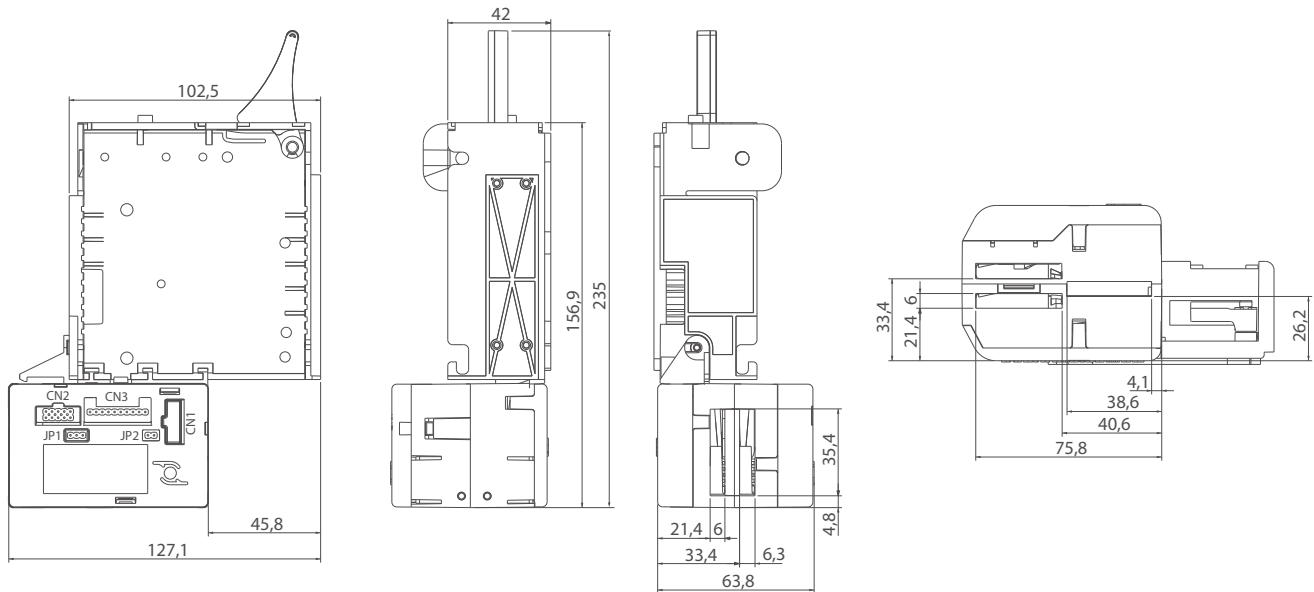
**SPECIFICALLY DESIGNED TO SATISFY THE REQUIREMENTS OF ANY TYPE OF MACHINE**

It can be installed both on machines operating in ccTalk and in parallel, allowing switching modes with ease. The reject motor, available as an option, allows coins to be rejected automatically. Also in this case, installation is possible on any type of machine thanks to the double connection possibility: with 4-pin connector or 3-pin adaptor, both supplied. Its characteristics make Cinco the ideal partner of the series of high performance RM5 HD electronic coin validators.

FEATURES

- 5 sorting ways plus reject mechanism
- Simplified installation
- Polycarbonate structure
- Total compatibility with other equivalent sorters
- Selection of the operating mode via jumper: ccTalk, ccTalk Italia or parallel





Note: Unit of measure mm

TECHNICAL SPECIFICATION

DIMENSIONS (L X H X W)	127.1 X 235 X 63.8 MM
WEIGHT	350 G
OPERATING TEMPERATURE	0 °C ÷ 55 °C
POWER SUPPLY	12 ÷ 24 VDC (- 5 % + 10%)
CURRENT CONSUMPTION	MAX 800 MA